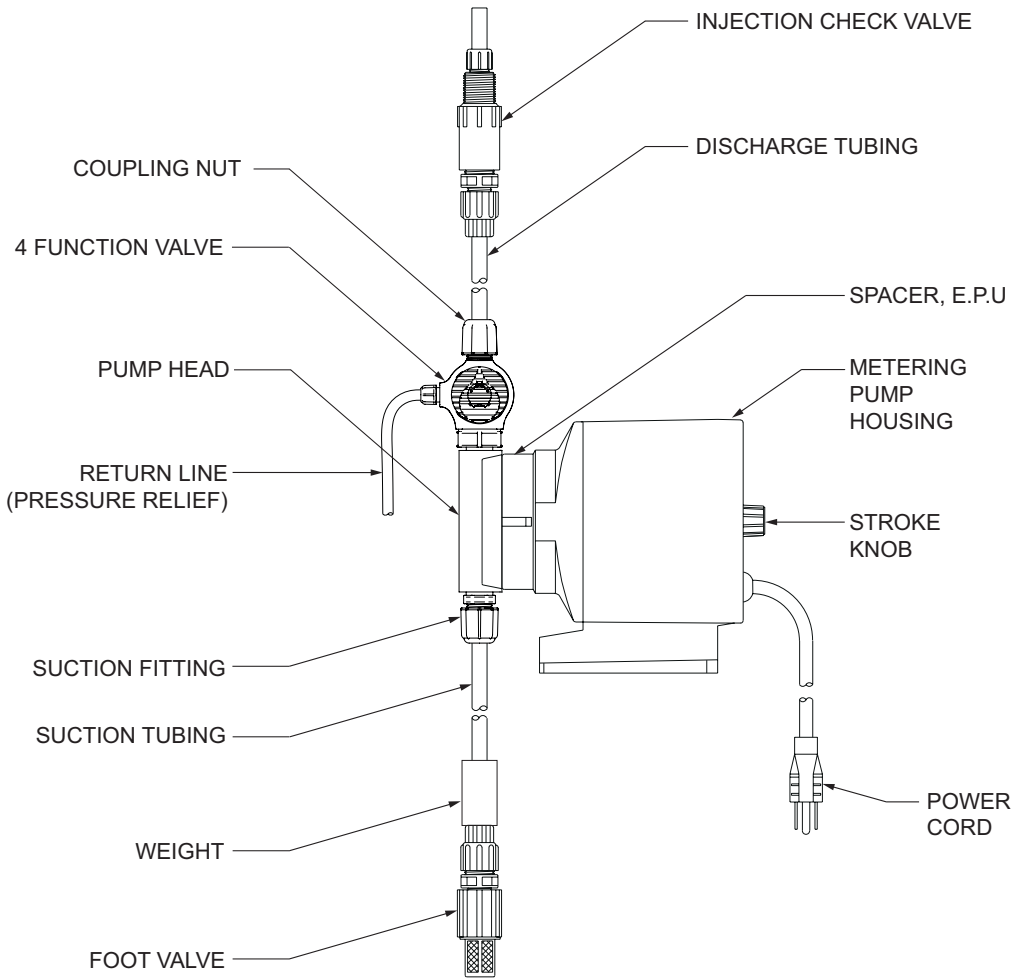




LMI[®]

an Accudyne Industries brand



Metering Pump Component Diagram

Series P0

Electronic Metering Pump

Instruction Supplement

Manual No : 1843

Rev. : D

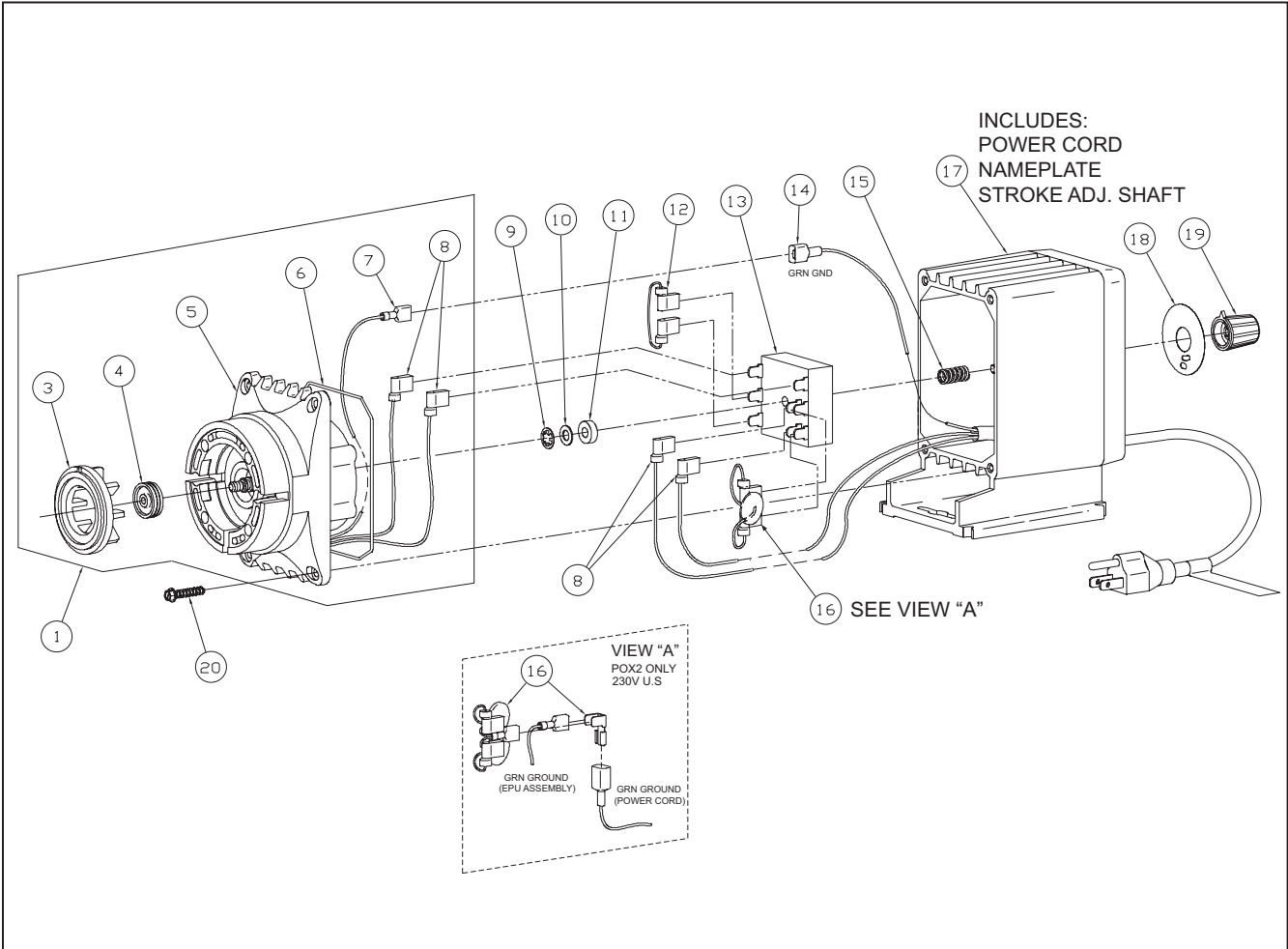
Rev. Date : 10/2015



LMI[®]

an Accudyne Industries brand

SERIES P0 DRIVE ASSEMBLY EXPLODED VIEW DIAGRAM



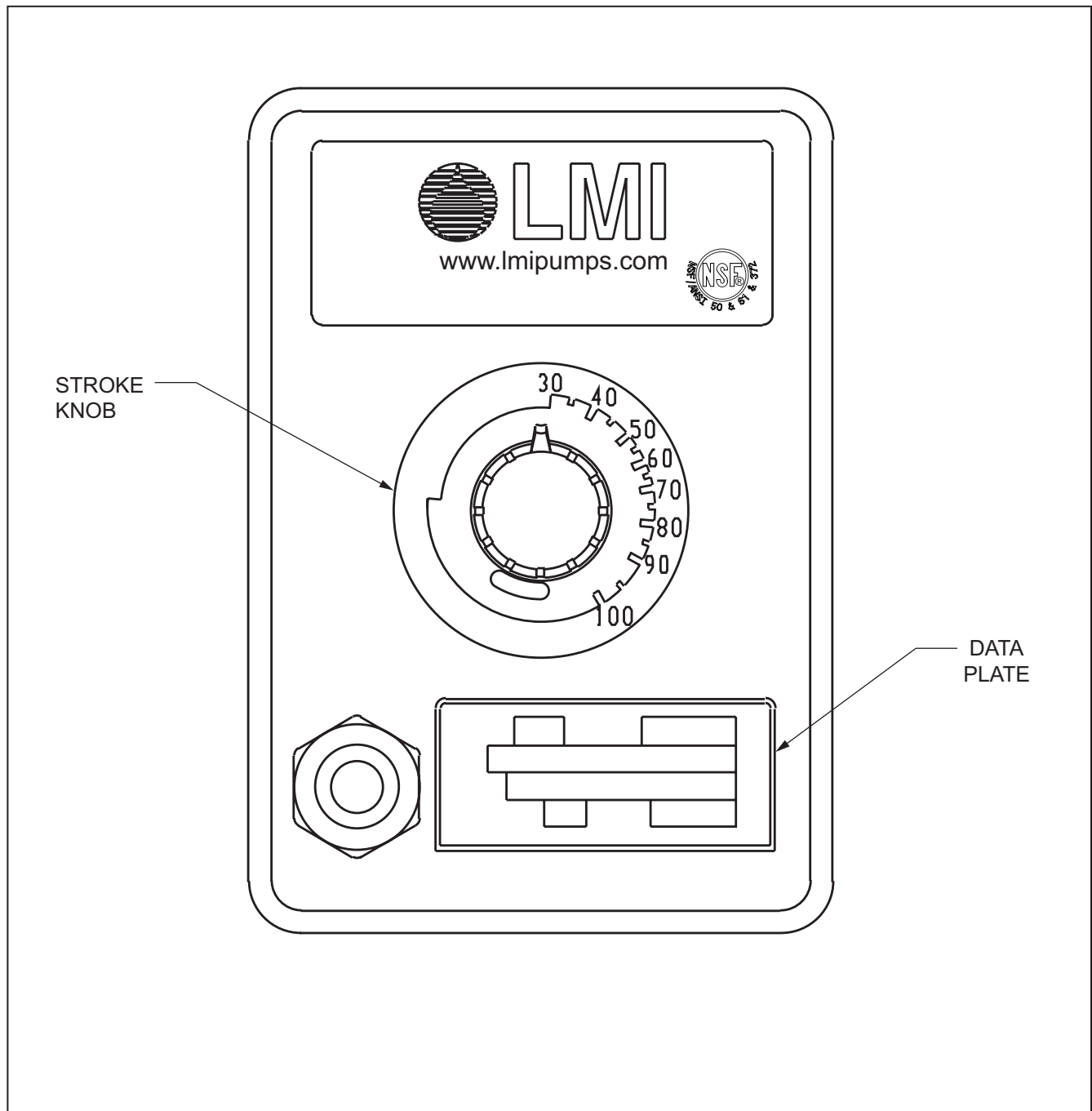
SERIES P0 DRIVE ASSEMBLY PARTS LIST

Key Number	Model Series	Part Number	Description	Qty
1	P021	30107	EPU WITH DISK 0.5	1
	P022, P023, P025, P026, P027	30108	EPU WITH DISK 0.5	
	P031	30109	EPU WITH DISK 0.9	
	P032, P033, P035, P036, P037	30110	EPU WITH DISK 0.9	
	P041	30240	EPU WITH DISK 0.5	
	P042, P043, P045, P046, P047	30241	EPU WITH DISK 0.5	
	P051	30242	EPU WITH DISK 0.9	
	P052, P053, P055, P056, P057	30243	EPU WITH DISK 0.9	
	P061	33338	EPU WITH DISK 1.8	
	P062, P063, P065, P066, P067	31781	EPU WITH DISK 1.8	
3	P02, P04	29445	DISK 0.5	1
	P03, P05	29437	DISK 0.9	
	P06	29442	DISK 1.8	
4	P0	10973	SEAL	1
5	P021, P031	30530	EPU	1
	P022, P023, P025, P026, P027, P032, P033, P035, P036, P037	30531		
	P041, P051	30154		
	P042, P043, P045, P046, P047, P052, P053, P055, P056, P057	30155		
	P061	31862		
	P062, P063, P065, P066, P067	31131		
6	P0	10166	O-RING	1
7	P0	10182-1	WIRE TERMINAL (FEMALE)	1
8	P0	25070-1	WIRE TERMINAL (FLAG)	4
9	P0	10422	RETAINING RING	1
10	P0	25963	WASHER, NYLON	1
11	P0	30391	WASHER, RUBBER	1
12	P02, P03	29797	WIRE ASSEMBLY	1
13	P0	36254	PULSER	1
14	P0	10368-1	WIRE TERMINAL (MALE)	1
15	P0	25414	SPRING	1

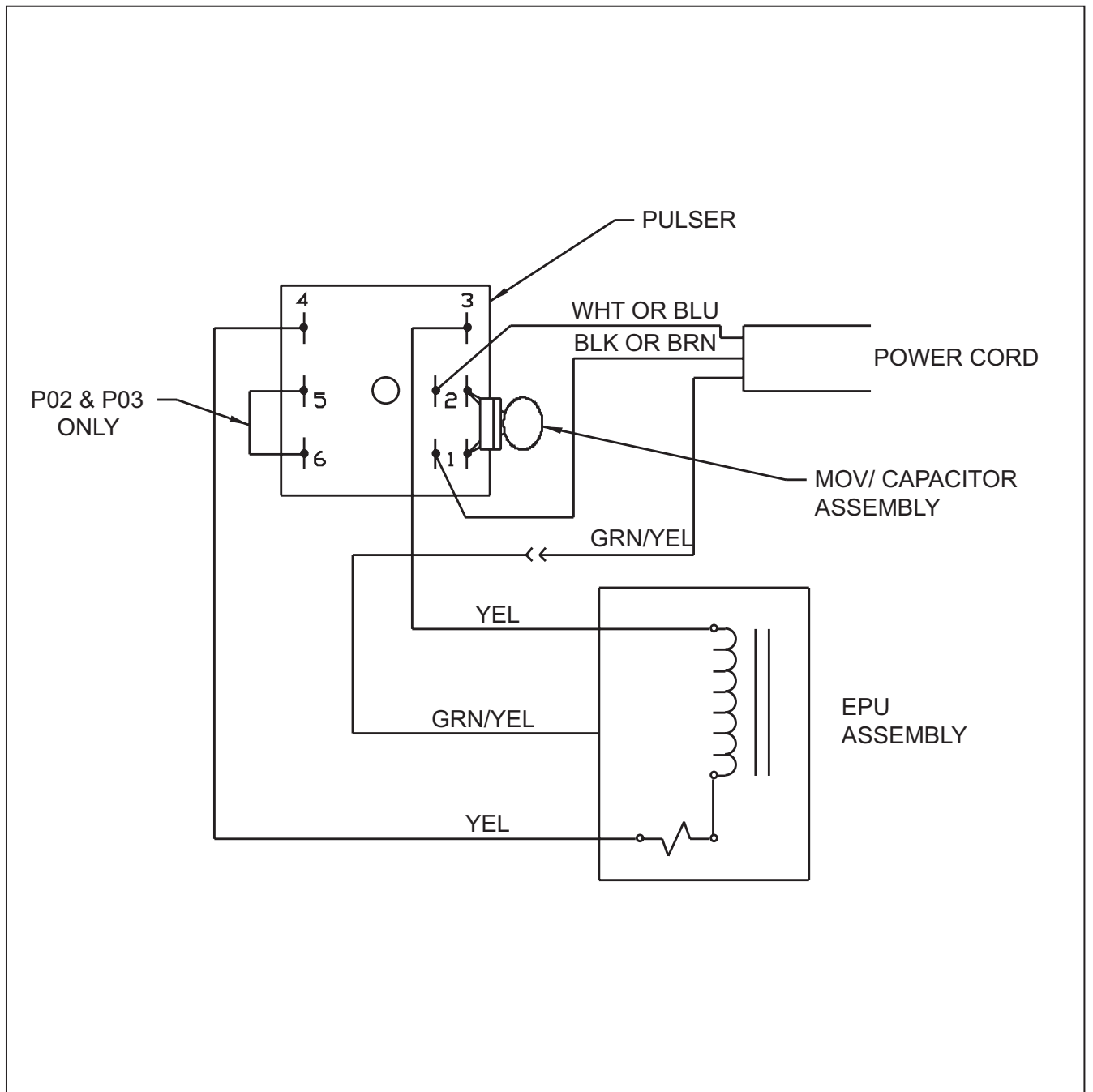
SERIES P0 DRIVE ASSEMBLY PARTS LIST

Key Number	Model Series	Part Number	Description	Qty
16	P021, P031, P041, P051, P061	10626	VARISTOR ASSEMBLY, 115V	1
	P022, P032, P042, P052, P062	31255	VARISTOR ASSEMBLY, 230V US	1
	P023, P033, P043, P053, P063 P025, P035, P045, P055, P065 P026, P036, P046, P056, P066 P027, P037, P047, P057, P067	10627	VARISTOR ASSEMBLY, 230-250V	1
17	P021, P031, P041, P051, P061	38393	HOUSING ASSEMBLY, 115V	1
	P022, P032, P042, P052, P062	38394	HOUSING ASSEMBLY, 230V US	
	P023, P033, P043, P053, P063	38395	HOUSING ASSEMBLY, 230V DIN	
	P025, P035, P045, P055, P065	38396	HOUSING ASSEMBLY, 240V UK	
	P026, P036, P046, P056, P066	38397	HOUSING ASSEMBLY, 250V AUST	
	P027, P037, P047, P057, P067	38398	HOUSING ASSEMBLY, 230V SWISS	
18	P02	30418	STROKE DIAL	1
	P03	31545		
	P04, P05	31126		
	P06	31127		
19	P0	31891	STROKE KNOB	1
20	P0	30306	SCREW	4

SERIES P0 CONTROL PANEL DETAIL



SERIES P0 WIRING DIAGRAM



We are a proud member of Accudyne Industries, a leading global provider of precision-engineered, process-critical, and technologically advanced flow control systems and industrial compressors. Delivering consistently high levels of performance, we enable customers in the most important industries and harshest environments around the world to accomplish their missions.



LMI® is a registered trademark of Milton Roy, LLC.
© 1997, 2015 Milton Roy, LLC.
Specifications to change without notice.

info@lmipumps.com
www.lmipumps.com

